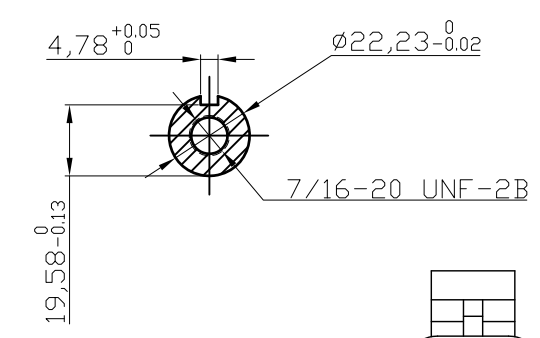
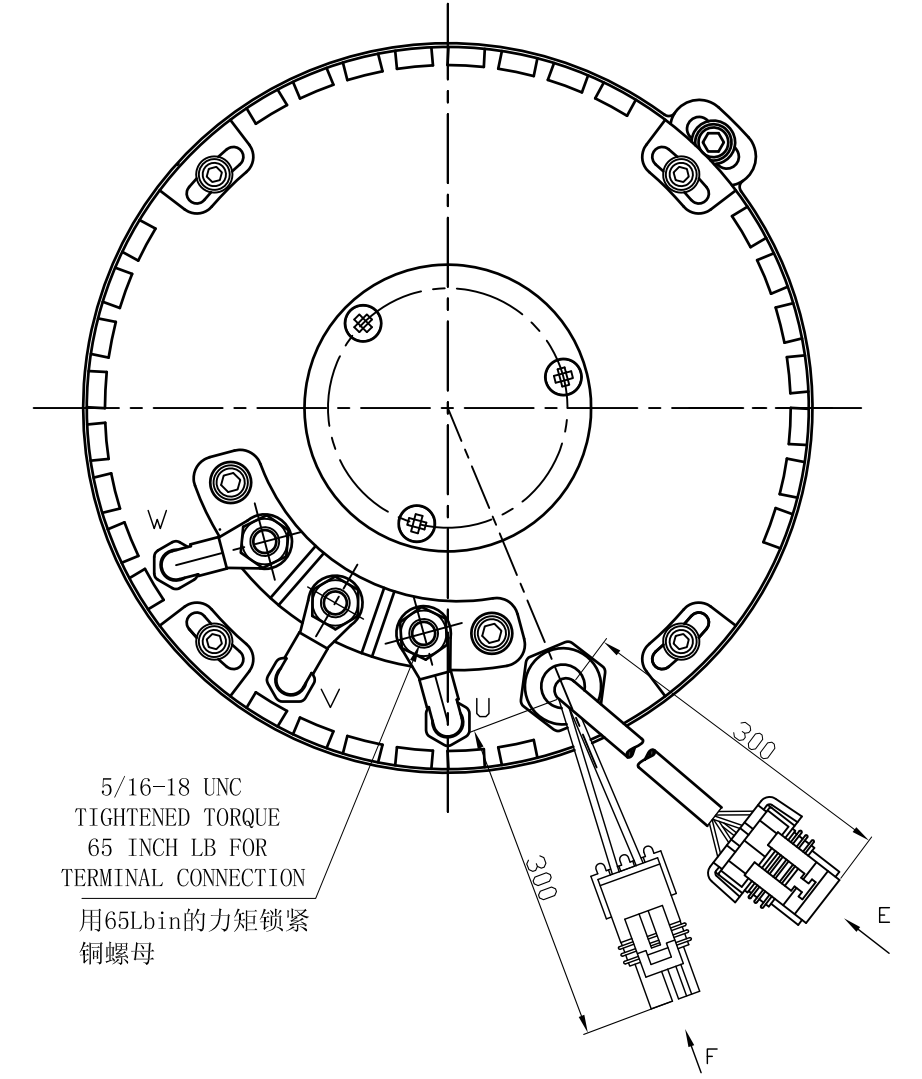
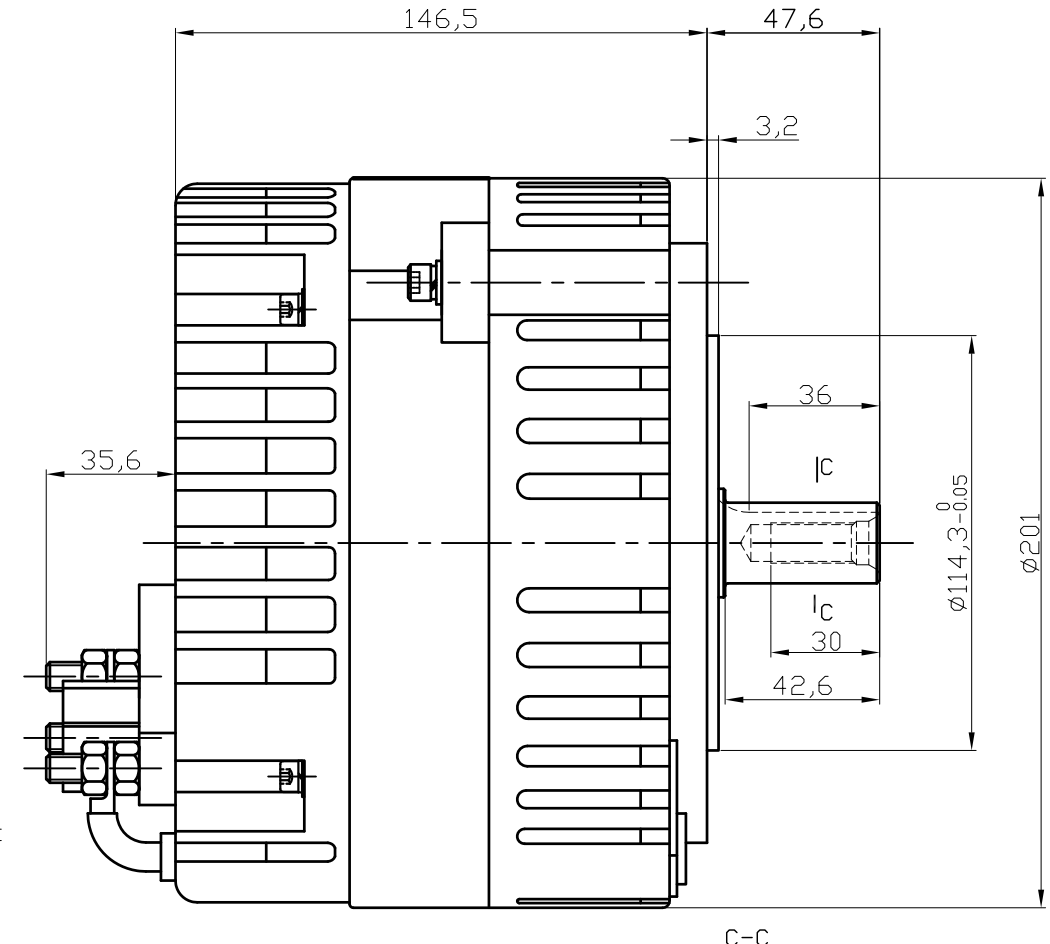
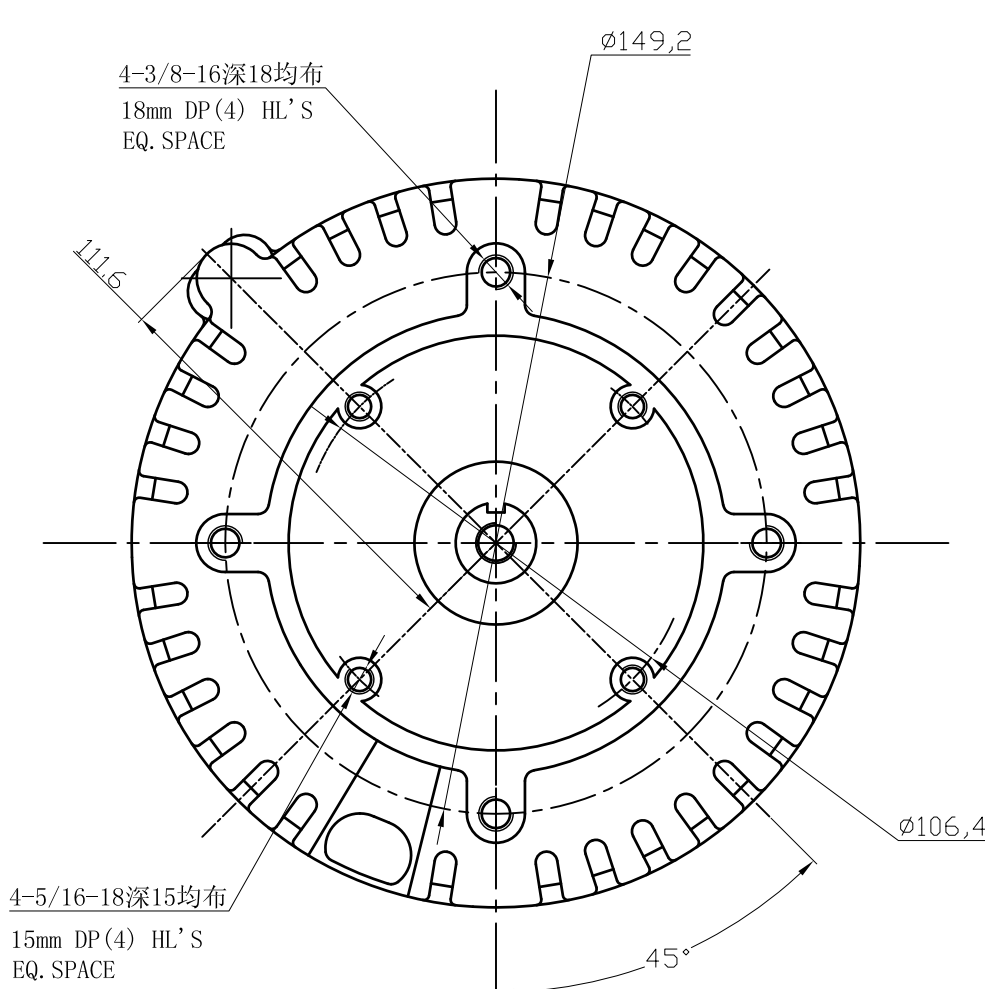
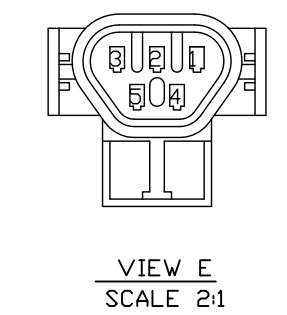
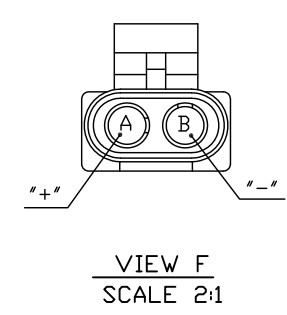


- 技术要求:
- 1、电机系单方向旋转, 从轴伸端视为逆时针方向。
  - 2、每相20匝。
  - 3、电机前轴承型号采用NTN6006 LLUC3/5K(日本原装)。
  - 4、电机用聚苯乙烯泡沫和普通白盒包装, 每台电机上应刻上铭牌。
  - 5、包装盒上需注: Part Number:ME1305  
Made in China
  - 6、绕组里面安装温度传感器KTY84-130。



NAMECARD DATA  
PART # ME1305  
DATE CODE XXXXXX  
SERIAL #:XX.XX.XXXX  
Motenergy, Inc.  
Slinger, WI USA



PIN LOCATION 插孔点	WIRE DESIGNATION 导线标记	WIRE COLOR 导线颜色	REMARKS 注意
1	S1 (U1)	WHITE白	--
2	S2 (U2)	GREEN绿	--
3	S3 (U3)	BLUE蓝	--
4	GND (0)	BLACK黑	SHIELD TIED TO THIS PIN
5	V <sub>DD</sub> (+12)	RED红	--

- NOTES:
1. CCW FAN
  2. TURNS IS 20 PER PHASE
  3. Front bearing: NTN6006 LLUC3/5K (Made in Japan)
  4. Product to be shipped in plain white box, styrofoam packaging  
Include Dyno Plot of namecard for each motor.
  5. Box to be marked:  
Part Number: ME1305  
Made in China
  6. Temperature Sensor KTY84-130 Installed in windings.

REV.	CHANGES	BY	ECO NO.	DATE	DO NOT SCALE DRAWING THIS DRAWING IS PROPRIETARY PROPERTY OF MOTENERGY INC CORPORATION DISCLOSED IN CONFIDENCE, WHICH MAY NOT BE USED OR DISCLOSED WITHOUT PERMISSION. RETURN PROMPTLY AFTER USE.	DIMENSIONING AND TOLERANCING PER ANS I Y14.5M-1994	MATERIAL	TITLE	OUTLINE	Motenergy, Inc.
-	-	-	-	-	-	-	-	永磁式无刷直流盘式电动机	ME1305	Slinger, WI USA
-	-	-	-	-	-	-	-	外形图	13.03.25	-
-	-	-	-	-	-	-	-	DESIGN VENDOR: -	-	-
-	-	-	-	-	-	-	-	ME1305	-	-
-	-	-	-	-	-	-	-	0JW.T. 302. 233	-	-